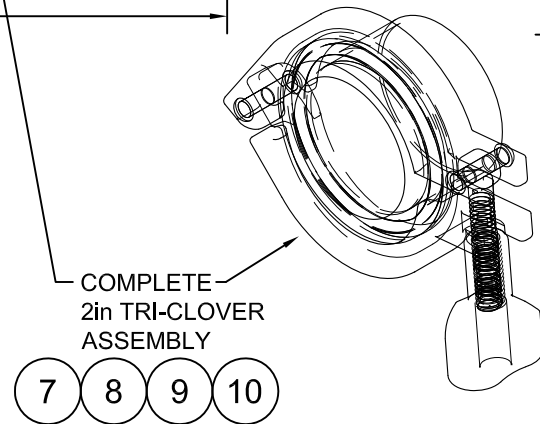
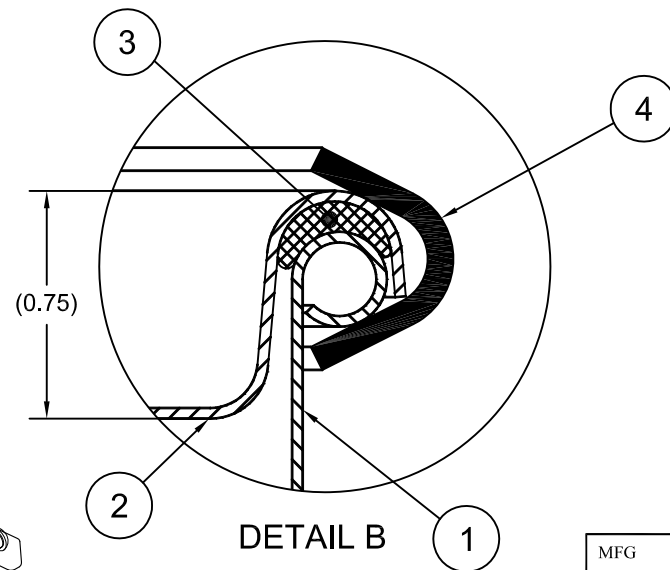
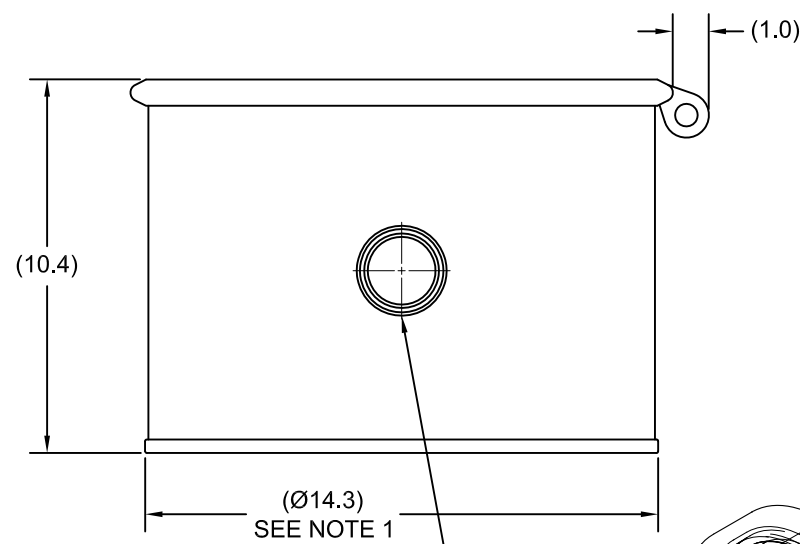
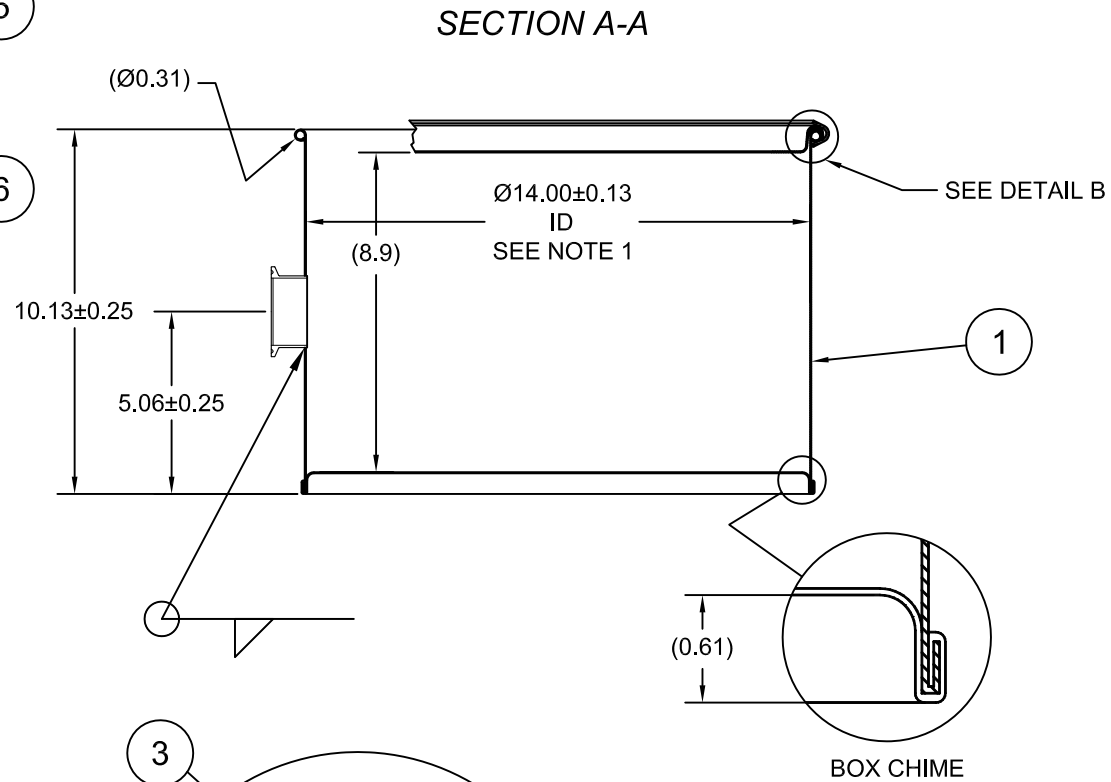
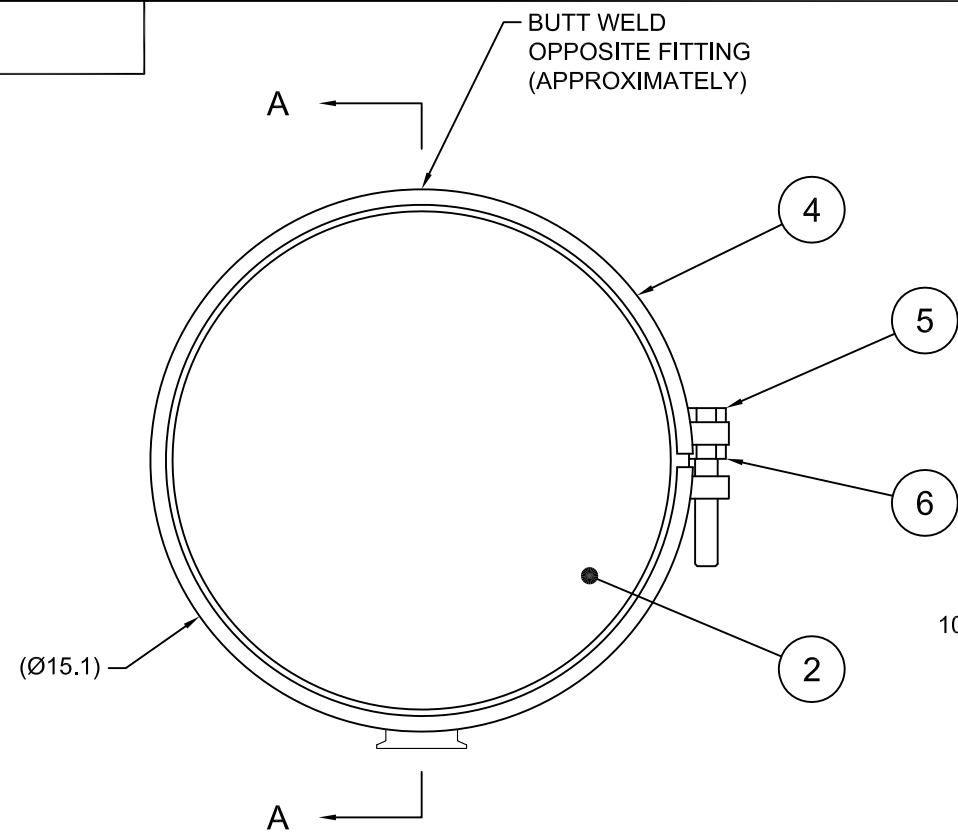


SW0504B

| ECN # or INIT | REV | DESCRIPTION        | DATE        |
|---------------|-----|--------------------|-------------|
| OE-005        | A1  | REDRAWN to AutoCAD | 27-OCT-2014 |



TARE WEIGHT:  
10 lbs

**NOTES:**

1. TO DETERMINE GREATER ACCURACY OF ANY DIAMETRIC DIMENSION, MEASURING OF CIRCUMFERENCE IS REQUIRED

**MATERIAL:**

- 304SS PER ASTM A240 OR EQUIVALENT
- MATERIAL THICKNESS: 0.9mm (0.0319 - 0.0370; 20 GAUGE)
- GASKET MAT'L PER ASTM D1056
- CARBON STEEL BOLT RING

**FINISH:**

- PASSIVATED INNER AND OUTER SURFACE OF ALL WELDS
- FULL ALCOHOL RINSE PRIOR TO SEAMING

| ITEM | P/N     | DESCRIPTION                               | QTY |
|------|---------|---|-----|
| 10   | FT10037 | 2in TRI CLOVER BUNA GASKET                | 1   |
| 9    | FT10036 | 2in SOLID END CAP 304SS                   | 1   |
| 8    | FT10034 | 2in TRI CLOVER HEAVY DUTY TRI-CLAMP 304SS | 1   |
| 7    | FT10033 | 2in TRI-CLOVER WELDING FERRULE 304SS      | 1   |
| 6    | NT5800  | 5/8-11UNC HEX JAM NUT                     | 1   |
| 5    | BT5840  | 5/8-11UNC X 4in LONG HEX HEAD BOLT        | 1   |
| 4    | RBH1413 | BOLT RING (MOD A) 5-16G 13GA 5/8 LUG      | 1   |
| 3    | GE0505  | GASKET Ø3/8 EPDM WHITE                    | 1   |
| 2    | P1409S  | COVER Ø14 ID                              | 1   |
| 1    |         | BODY/BOTTOM 5 GALLON DRUM Ø14 ID          | 1   |

|                                 |                 |           |   |
|---------------------------------|-----------------|-----------|---|
| MFG<br>JR                       | DRW<br>LJT      | CHK<br>JG | UNLESS STATED OTHERWISE<br>(DIMENSIONS IN PARENTHESIS ARE FOR REFERENCE ONLY!!!)<br>ALL DIMENSIONS ARE IN INCHES<br>DO NOT SCALE DRAWING<br>TOLERANCES:<br>FRACTIONS ±1/4 |
| SLS<br>DR                       | QA<br>SB        | X° ± 3°   |   |
| APR<br>HZS / BH                 |                 | X.X ± 0.2 |   |
| FILE CREATED IN<br>AutoCAD 2002 | 3 <sup>RD</sup> |           | X.XX ± 0.10<br>X.XXX ± 0.030  |

|  |                                 |           |
|--|---------------------------------|-----------|
| <b>SKOLNIK INDUSTRIES, INC.</b><br>4900 SOUTH KILBOURN AVENUE, CHICAGO, IL 60632 |                                 |           |
| DESCRIPTION<br>5 GALLON OPEN HEAD DRUM<br>0.9 - 0.9 - 0.9 304SS<br>NON UN        |                                 |           |
| REL. DATE<br>-   | PART NUM. / FILENAME<br>SW0504B | REV<br>A1 |

THE USE OF INFORMATION CONTAINED HEREIN IS RESTRICTED FOR THE BENEFIT OF SKOLNIK INDUSTRIES ONLY. UNAUTHORIZED USE OR DISCLOSURE, COPYING OR OTHERWISE REPRODUCING (IN ANY MANNER) ANY PORTION OF THIS DRAWING WITHOUT PRIOR WRITTEN PERMISSION OF AN AUTHORIZED OFFICIAL OF SKOLNIK INDUSTRIES IS STRICTLY PROHIBITED.