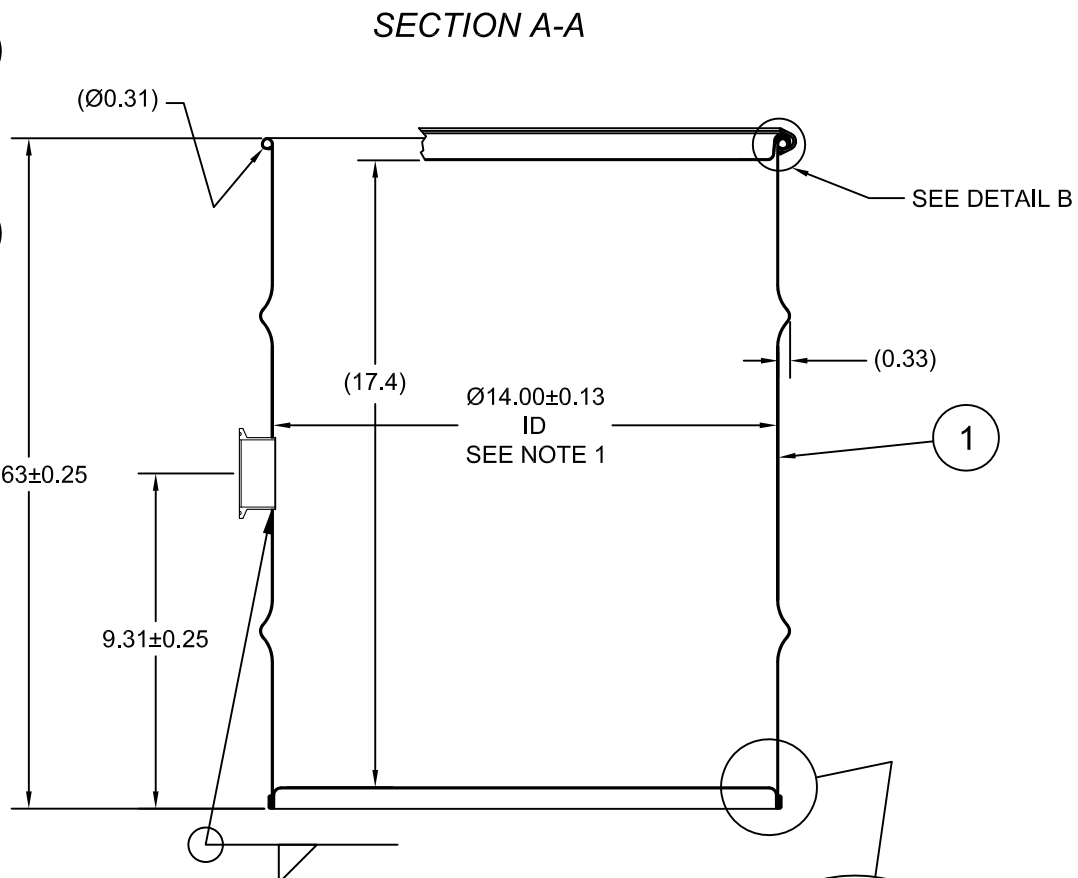
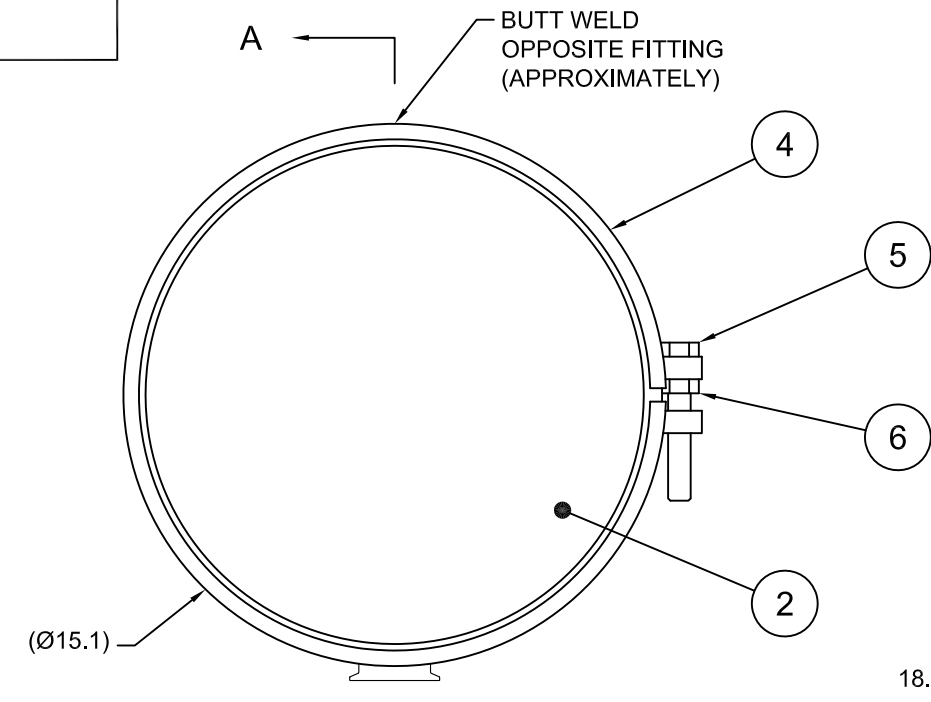


ECN # or INIT	REV	DESCRIPTION	DATE
OE-005	A1	REDRAWN to AutoCAD	27-OCT-2014



NOTES:

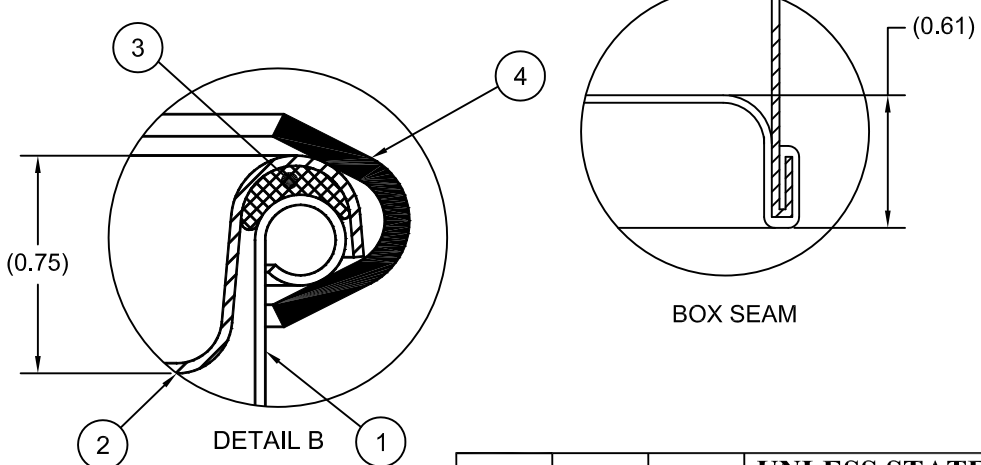
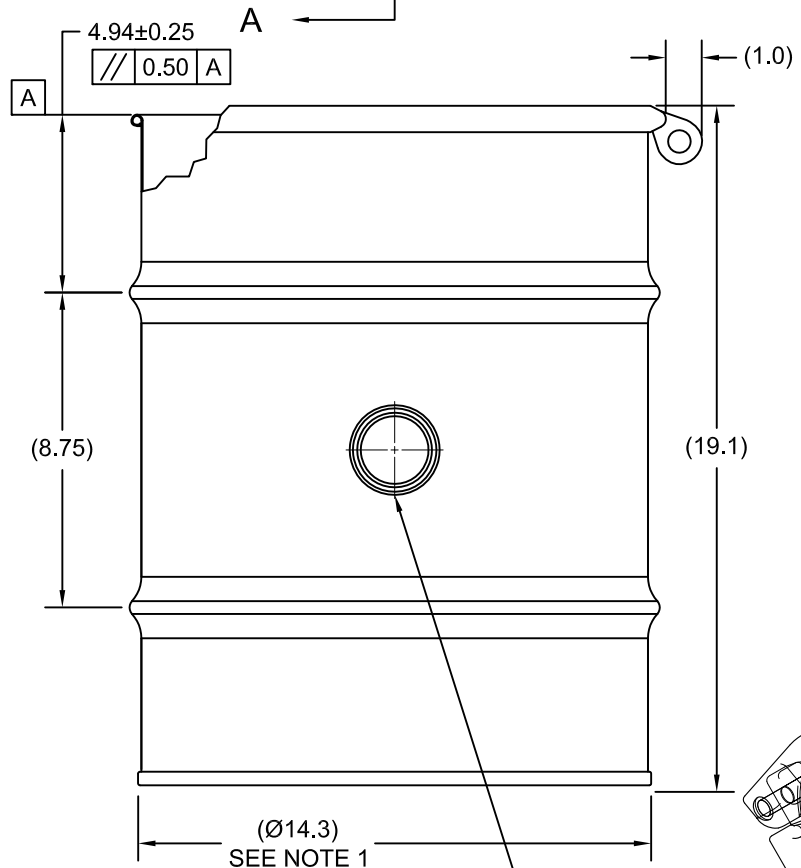
1. TO DETERMINE GREATER ACCURACY OF ANY DIAMETRIC DIMENSION, MEASURING OF CIRCUMFERENCE IS REQUIRED

MATERIAL:

1. 304SS PER ASTM A240 OR EQUIVALENT
2. MATERIAL THICKNESS: 0.9mm (0.0319 - 0.0370; 20 GAUGE)
3. GASKET MAT'L PER ASTM D1056
4. CARBON STEEL BOLT RING

FINISH:

1. PASSIVATED INNER AND OUTER SURFACE OF ALL WELDS
2. FULL ALCOHOL RINSE PRIOR TO SEAMING



ITEM	P/N	DESCRIPTION	QTY
10	FT10037	2in TRI CLOVER BUNA GASKET	1
9	FT10036	2in SOLID END CAP 304SS	1
8	FT10034	2in TRI CLOVER HEAVY DUTY TRI-CLAMP 304SS	1
7	FT10033	2in TRI-CLOVER WELDING FERRULE 304SS	1
6	NT5800	5/8-11UNC HEX JAM NUT	1
5	BT5840	5/8-11UNC X 4in LONG HEX HEAD BOLT	1
4	RBH1413	BOLT RING (MOD A) 5-16G 13GA 5/8 LUG	1
3	GE0505	GASKET Ø3/8 EPDM WHITE	1
2	P1409S	COVER Ø14 ID	1
1		BODY/BOTTOM 10 GALLON DRUM Ø14 ID	1



TARE WEIGHT:
14 lbs

THE USE OF INFORMATION CONTAINED HEREIN IS RESTRICTED FOR THE BENEFIT OF SKOLNIK INDUSTRIES ONLY. UNAUTHORIZED USE OR DISCLOSURE, COPYING OR OTHERWISE REPRODUCING (IN ANY MANNER) ANY PORTION OF THIS DRAWING WITHOUT PRIOR WRITTEN PERMISSION OF AN AUTHORIZED OFFICIAL OF SKOLNIK INDUSTRIES IS STRICTLY PROHIBITED.

MFG JR	DRW LJT	CHK JG	UNLESS STATED OTHERWISE (DIMENSIONS IN PARENTHESIS ARE FOR REFERENCE ONLY!!!) ALL DIMENSIONS ARE IN INCHES DO NOT SCALE DRAWING TOLERANCES: FRACTIONS ±1/4 X° ± 3° X.X ± 0.2 X.XX ± 0.10 X.XXX ± 0.030
SLS DR	QA SB	APR HZS / BH	
FILE CREATED IN AutoCAD 2002			

SKOLNIK INDUSTRIES, INC. 4900 SOUTH KILBOURN AVENUE, CHICAGO, IL 60632		
DESCRIPTION 10 GALLON OPEN HEAD DRUM 0.9 - 0.9 - 0.9 304SS NON UN		
REL. DATE -	PART NUM. / FILENAME SW1004B	REV A1