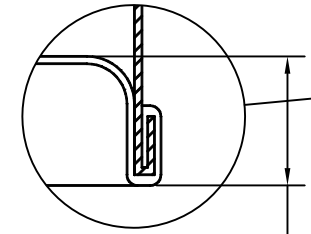
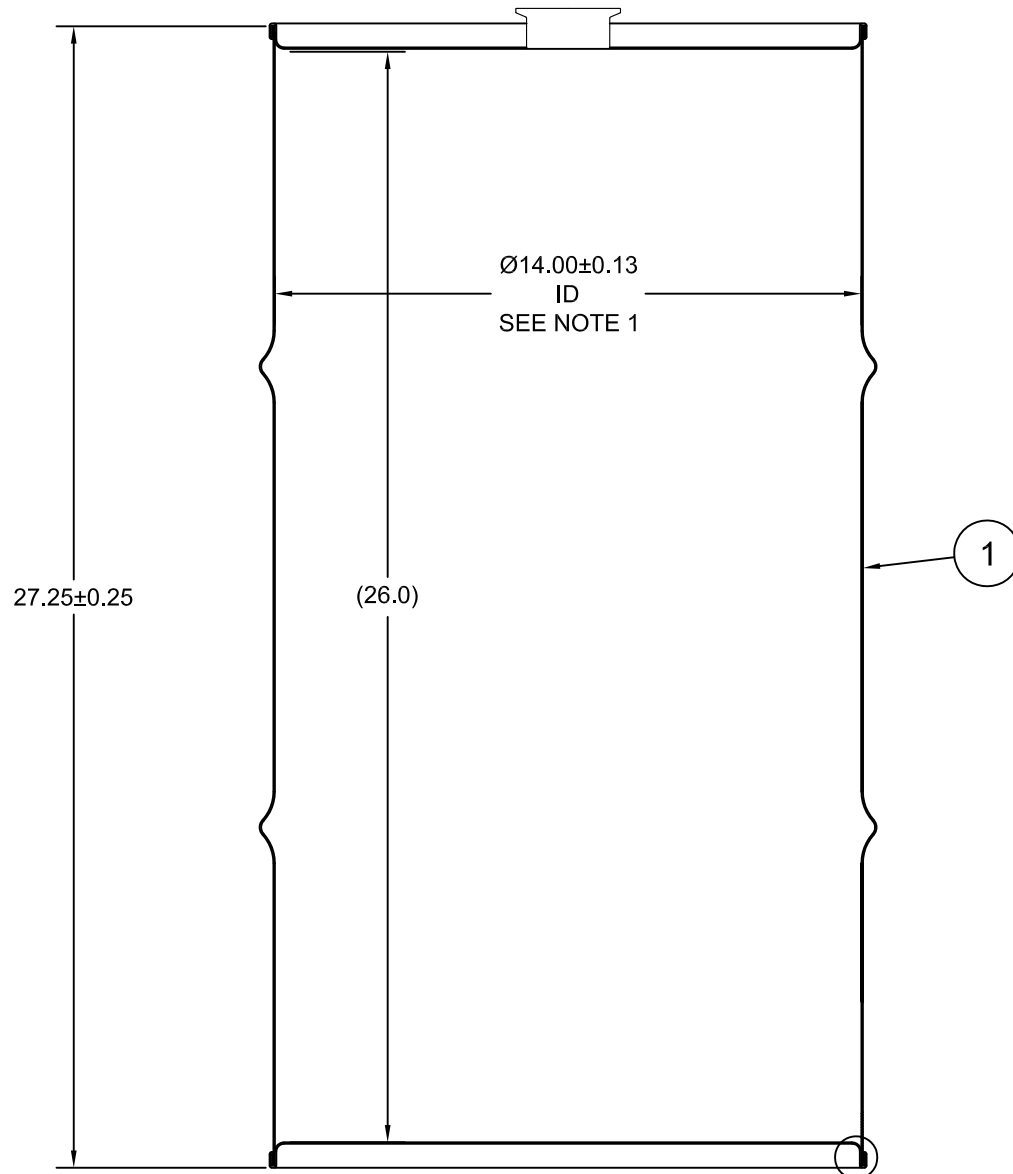
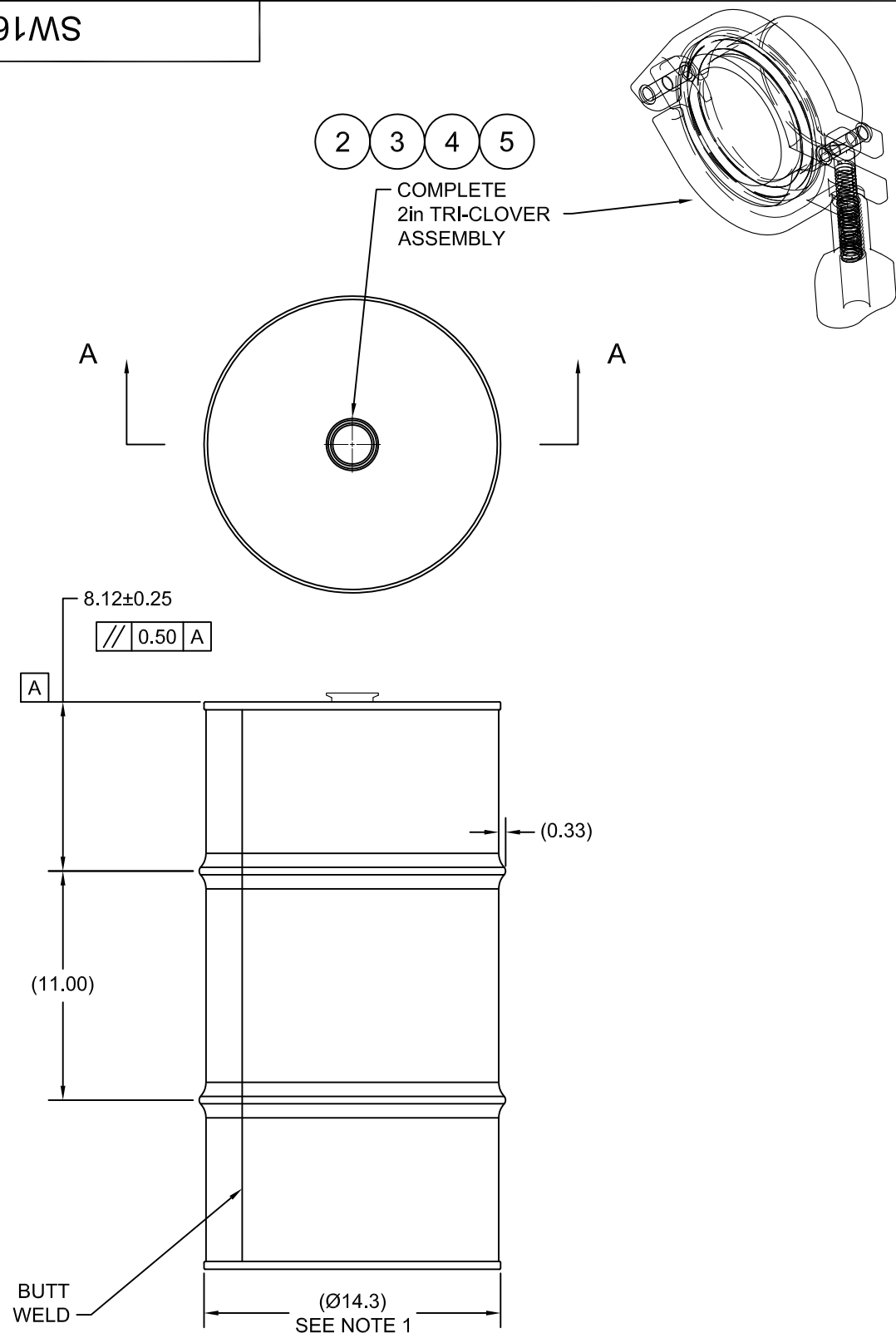


SW1603F

ECN # or INIT	REV	DESCRIPTION	DATE
OE-005	A1	REDRAWN TO AutoCAD	20-JUN-2013

SECTION A-A
(SHOWN W/ PLUG REMOVED)



NOTES:

1. TO DETERMINE GREATER ACCURACY OF ANY DIAMETRIC DIMENSION, MEASURING OF CIRCUMFERENCE IS REQUIRED

MATERIAL:

- 1. 304SS PER ASTM A240 OR EQUIVALENT
- 2. MATERIAL THICKNESS: 0.9mm (0.0319 - 0.0370; 20 GAUGE)

FINISH:

- 1. PASSIVATED INNER AND OUTER SURFACE OF ALL WELD SEAMS
- 2. FULL ALCOHOL RINSE PRIOR TO SEAMING

ITEM	P/N	DESCRIPTION	QTY
5	FT10037	2in TRI CLOVER BUNA GASKET	1
4	FT10036	2in SOLID END CAP 304SS	1
3	FT10034	2in TRI CLOVER HEAVY DUTY TRI-CLAMP 304SS	1
2	FT10033	2in TRI-CLOVER WELDING FERRULE 304SS	1
1		BODY/BOTTOM 16 GALLON DRUM 14.0 ID	1

TARE WEIGHT:
17 lbs

THE USE OF INFORMATION CONTAINED HEREIN IS RESTRICTED FOR THE BENEFIT OF SKOLNIK INDUSTRIES ONLY. UNAUTHORIZED USE OR DISCLOSURE, COPYING OR OTHERWISE REPRODUCING (IN ANY MANNER) ANY PORTION OF THIS DRAWING WITHOUT PRIOR WRITTEN PERMISSION OF AN AUTHORIZED OFFICIAL OF SKOLNIK INDUSTRIES IS STRICTLY PROHIBITED.

MFG JR	DRW LJT	CHK BL
SLS DR	QA MD	
MG G. Petersen		
FILE CREATED IN AutoCAD 2002		

UNLESS STATED OTHERWISE
(DIMENSIONS IN PARENTHESIS ARE FOR REFERENCE ONLY!!!)
ALL DIMENSIONS ARE IN INCHES
DO NOT SCALE DRAWING
TOLERANCES:
FRACTIONS ±1/4
X° ± 3°
X.X ± 0.2
X.XX ± 0.10
X.XXX ± 0.030

SKOLNIK INDUSTRIES, INC.
4900 SOUTH KILBOURN AVENUE, CHICAGO, IL 60632

DESCRIPTION
16 GALLON TIGHT HEAD DRUM
0.9 - 0.9 - 0.9 304SS STEEL
NON UN

REL. DATE	PART NUM. / FILENAME	REV
-	SW1603F	A1